

KDRV-1-MK-X-X ELECTRONIC CONTROLLER

KOMP-ACT

With dual control and memory settings

TECHNICAL DATA

Power supply	V_{+in}	[V] DC	24/48
Command signal	Sig_{cont}	[V] DC	5 - 24
Power supply current limit	I_{lim}	[A]	10
Ground connections	Gnd	QTY	2
User interface port	InP	Type	USB B RNDIS through TCP/IP
Motor power supply	V_{out}	[V] DC	24/48
Start-up delay *	De_{max}	Seconds	3
KLA motors supported	N	QTY	2
Temperature range	T_{op}	[°C]	From 0 to +80
Cooling **	C_{typ}	Type	Passive
Dimensions		[mm]	107 x 89.7 x 62.2
Weight	W	[g]	160
Support	SU_{typ}	Type	DIN rail (DIN43880, NS 35)

* The start up delay is related to the initial powering of the board and not to the actuator's first movement.
** Keep a minimum distance of 20 mm free in front of the ventilation holes to ensure adequate airflow

FUNCTIONALITIES & REQUIREMENTS

Product compatibility

The KDRV-1-MK-X-X electronic controller is intended to be used in conjunction with compatible KOMP-ACT products, including the KLA product line and KOMP-ACT's end-user interface.

Programmability & dual control

The controller can program and actuate two KLA actuators independently to perform two different tasks. The control algorithm automatically calculates the optimum motion profile to reach the maximum efficiency.

Memory settings

The actuator memorizes the latest settings. Therefore, at each power up, the actuator does not require to be programmed again. The calibration will be automatically performed. KLA actuators can be replaced at the end of their lifetime without the need for reprogramming.

Machine applications

This solution is suitable for machine operations requiring speed, programmable stroke, reliable motion profile as well as fast and accurate transfer time, usually expected for the packaging machines, material handling and factory automation.

Power supply input

Two different supply voltages (i.e. 24V and 48V) are available for different applications: three- or mono-phase linear / rotary actuator.

Input

A digital signal ranging from 5V to 24V is needed for each motor to control.

Motor output

There are two signals output (i.e. command signal and status motor) to notify the status of the movement for both actuators. These signals are logical high (24V) if the motion is successfully achieved, which will be shown as a red LED.

USB B Port

The KDRV-1-MK-X-X electronic controller requires a USB B cable to access the end-user software, which should be plugged directly on the USB port of the controller.

Bus connector

Thanks to its standardized housing and mounting dimensions, the KDRV-1-MK-X-X controller can be installed on a 16-pole DIN-rail connector.

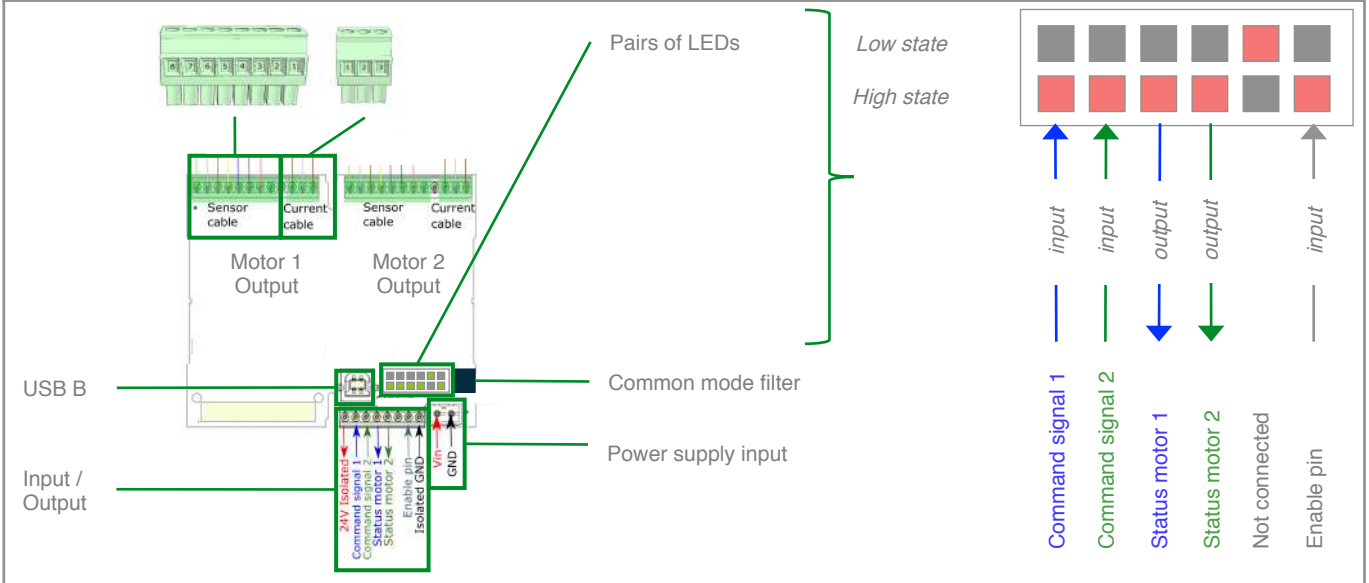
KDRV-1-MK-X-X ELECTRONIC CONTROLLER

KOMP-ACT

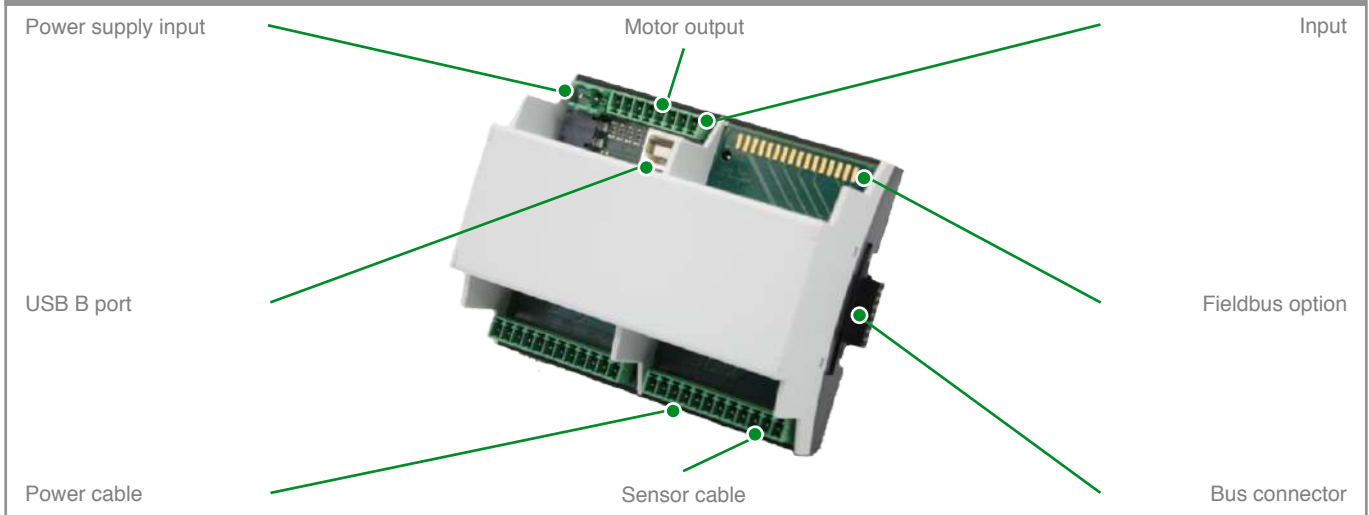
With dual control and memory settings



MOUNTING INTERFACE



PRODUCT DESCRIPTION



PROGRAMMABLE SETTINGS OF THE END-USER INTERFACE

KOMP-ACT Actuator Settings

ACTUATOR 1 CONTROL PANEL

ACTUATOR 1 DASHBOARD

ACTUATOR 2 CONTROL PANEL

ACTUATOR 2 DASHBOARD

Motor Settings

KLA-40-040-0F1-2

Stroke Length: 20 mm

Transfer Time Forward (extension): 20 ms

Transfer Time Backward (retraction): 20 ms

Predicted behaviour

Cycling Rate: 150 cycles/min

Load Mass: 200 g

Actuator Orientation

Horizontal
 Vertical

Update Settings